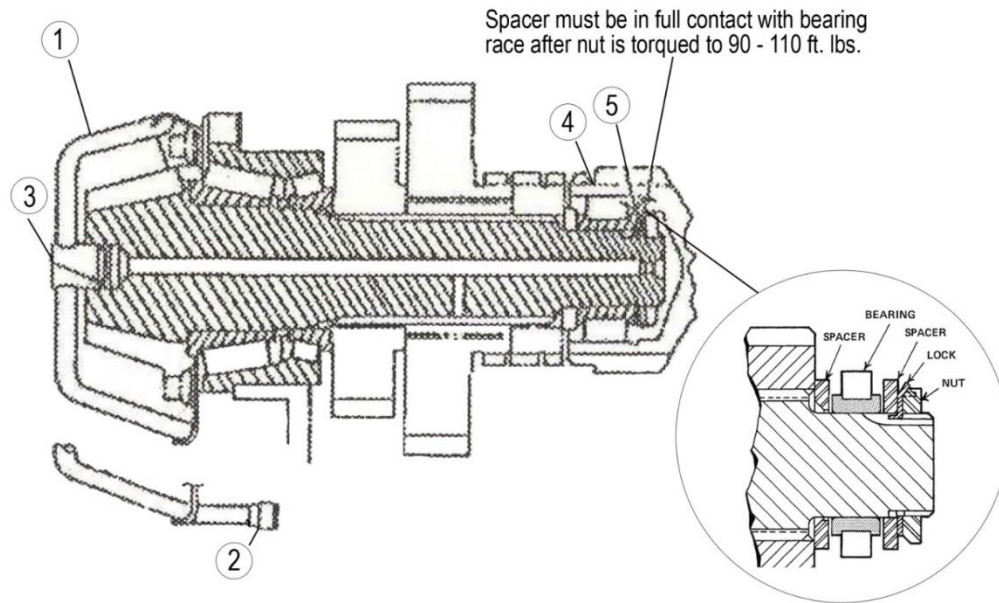




# HH528707 [Ring Gear & Pinion Kit]

Instruction Guide



**Additional components may be required to update lube circuit – see list below**

## GROUP 1

Model	S/N Etc.	1 – Lube Tube	2 – Seal	3 – Seal	4 – Bearing	5 – Spacer
766D	11820 & below 11821 & above	65448C1 68688C1	65447C1	67745C1	380295R91 380295R91	380300R1 380300R1
806		65448C1	65447C1		391897R91	380300R1
826		65448C1	65447C1		391897R91	380300R1
826 HS		65448C1	65447C1		391897R91	380300R1
856		65448C1	65447C1		391897R91	380300R1
766D	20685 & below 20686 & above	65448C1 68688C1	65447C1	67745C1	391897R91 391897R91	380300R1 380300R1
966 HS		65444C1	65447C1		380295R91	380300R1
1026 HS		65444C1	65447C1		391897R91	380300R1
1066 HS		65444C1	65447C1		391897R91	380300R1
1206		65448C1	65447C1		391897R91	380300R1
1256		65448C1	65447C1		391897R91	380300R1
Hydro 100		65444C1	65447C1		391897R91	380300R1

Group 1 (13-51 Gear Seat displaces 12-49 Gear set, which results in a 4.08% speed increase)



# HH528707 [Ring Gear & Pinion Kit]

Instruction Guide

## Group 2

Model	S/N Etc.	1 – Lube Tube	2 – Seal	3 – Seal	4 – Bearing	5 – Spacer
706		65448C1	65447C1		380295R91	380300R1
756		65448C1	65447C1		380295R91	380300R1
766 Gas	11820 & below 11821 & above	65448C1 68688C1	65447C1	67745C1	380295R91 380295R91	380300R1 380300R1

Group 2 (13-51 Gear Seat displaces 13-49 Gear Set, which results in a 3.92% speed increase)

## Group 3

Model	S/N Etc.	1 – Lube	2 – Seal	3 – Seal	4 – Bearing	5 - Spacer
1066D	30373 & below 30374 & above	65448C1 68688C1	65447C1	67745C1	391897R91 391897R91	380300R1 380300R1
1456		65448C1	65447C1		530137R91	
1466D	18216 & below 18217 & above	65448C1 68688C1	65447C1	67745C1	530137R91 530137R91	
1468D	9555 & below 9556 & above	65448C1 68688C1	65447C1	67745C1	530137R91 530137R91	

Group 3 (Speed remain unchanged)

