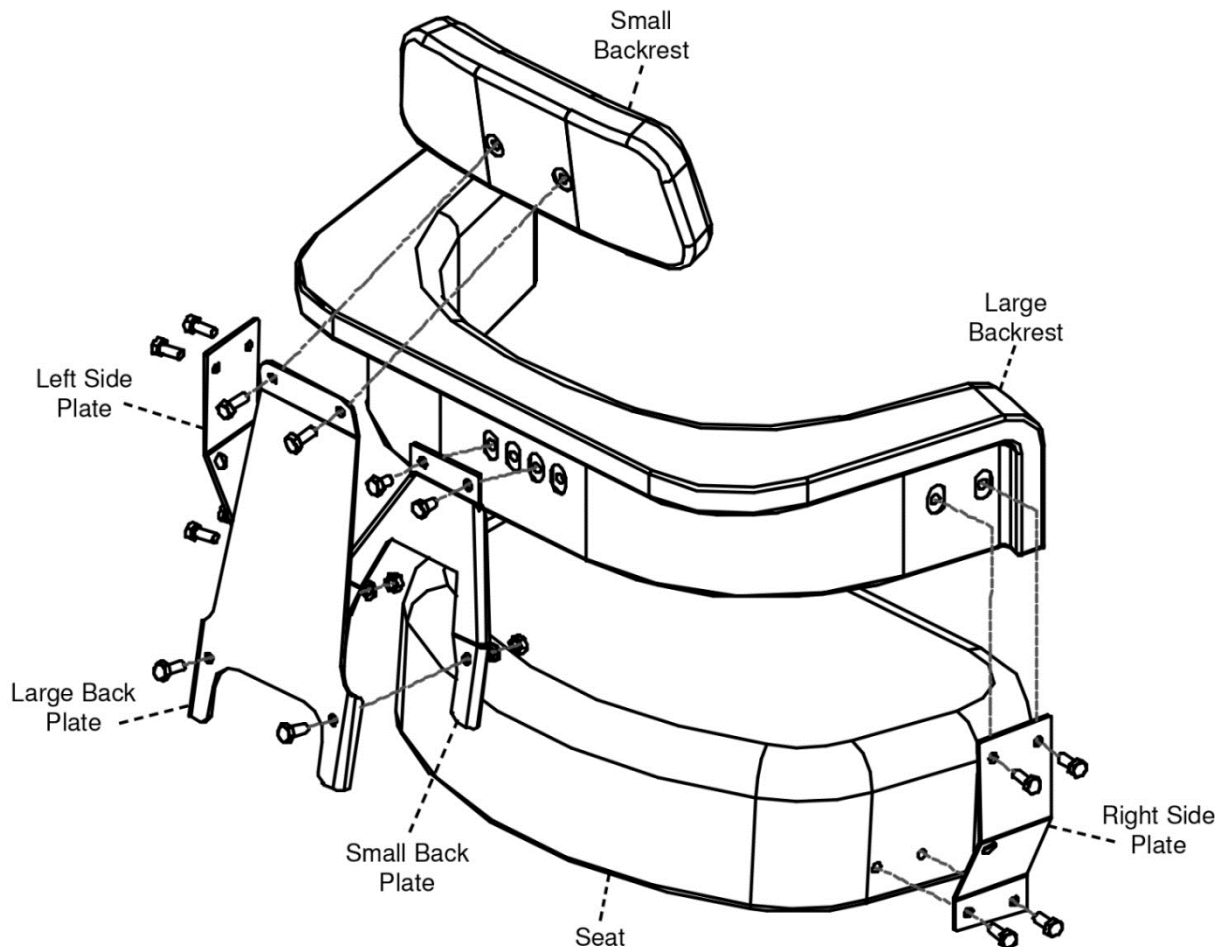




SR44700BU [Cushion Set, Yellow Vinyl, Unassembled w/Brackets – (3 pc.)]

Instruction Guide



1. Bolt the right-side plate and the left side plate to the seat using four 5/16" x 3/4" bolts. The large hole on the side plate goes towards the back of the seat
2. Bolt the large backrest to the left and right-side plates using four 5/16" x 3/4" bolts
3. Attach the small back plate to the large backrest using two 5/16" x 1/2" bolts
4. Attach the large back plate to the small back plate using two 5/16" x 3/4" bolts, lock washers and nuts
5. Bolt the small backrest to the large back plate using two 5/16" x 3/4" bolts